



SCALE: 1:10 XL

Jersey cut: Basic PRO RD, Rounded bottoms

Neck: V+



- PANTONE 187 C
- PANTONE 2758 C

DUE TO DIFFERENCES
IN PRINTERS AND MONITORS
FINAL COLOURS MAY NOT BE EXACTLY
AS THEY APPEAR IN THIS LAYOUT.





SCALE: 1:10 XL

Jersey cut: Basic PRO RD, Rounded bottoms

Neck: V+



0123456789

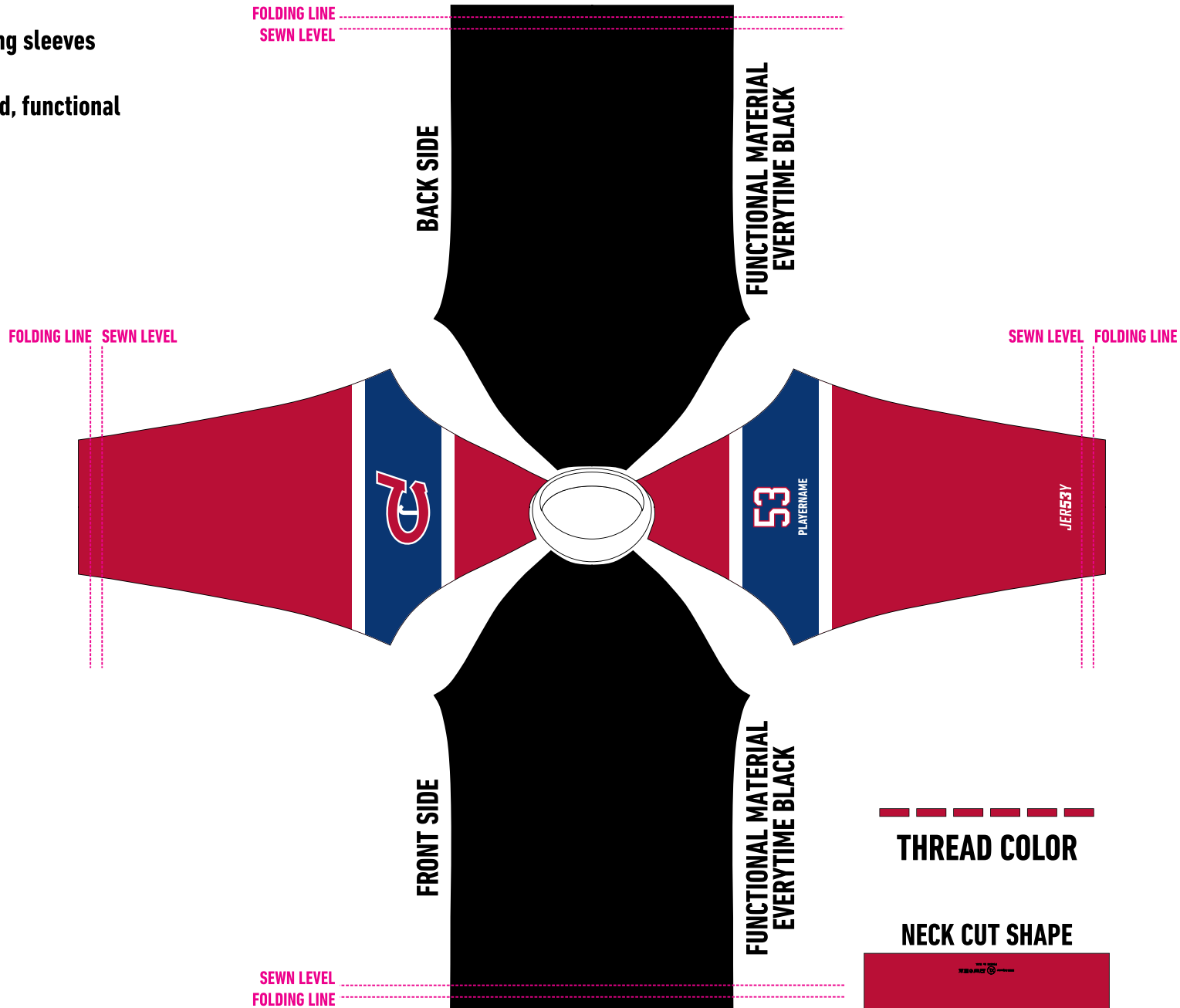
- PANTONE 187 C
- PANTONE 2758 C

DUE TO DIFFERENCES
IN PRINTERS AND MONITORS
FINAL COLOURS MAY NOT BE EXACTLY
AS THEY APPEAR IN THIS LAYOUT.

Label:



SCALE: 1:10 XL
Cut: Underwear TOP - Long sleeves
Neck: Rounded
Type: Partially sublimated, functional



-  **PANTONE 187 C**
-  **PANTONE 2758 C**

**DUE TO DIFFERENCES
 IN PRINTERS AND MONITORS
 FINAL COLOURS MAY NOT BE EXACTLY
 AS THEY APPEAR IN THIS LAYOUT.**

0123456789



SCALE: 1:10 XL

Cut: Underwear PANTS - Long

Type: Partially sublimated, functional

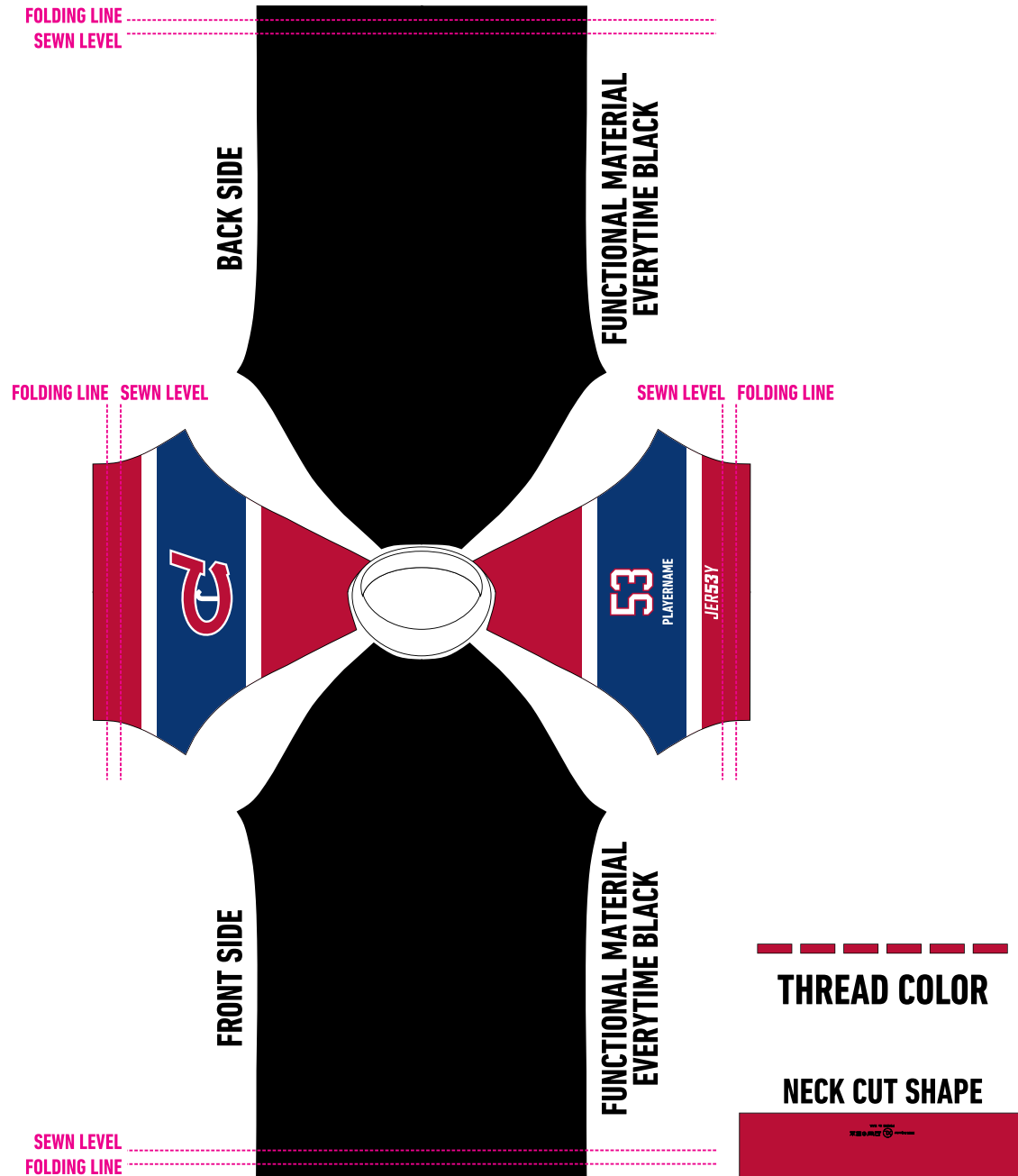


0123456789

-  PANTONE 187 C
-  PANTONE 2758 C

**DUE TO DIFFERENCES
IN PRINTERS AND MONITORS
FINAL COLOURS MAY NOT BE EXACTLY
AS THEY APPEAR IN THIS LAYOUT.**

SCALE: 1:10 XL
Cut: Underwear TOP - Short sleeves
Neck: Rounded
Type: Partially sublimated, functional



0123456789

-  PANTONE 187 C
-  PANTONE 2758 C

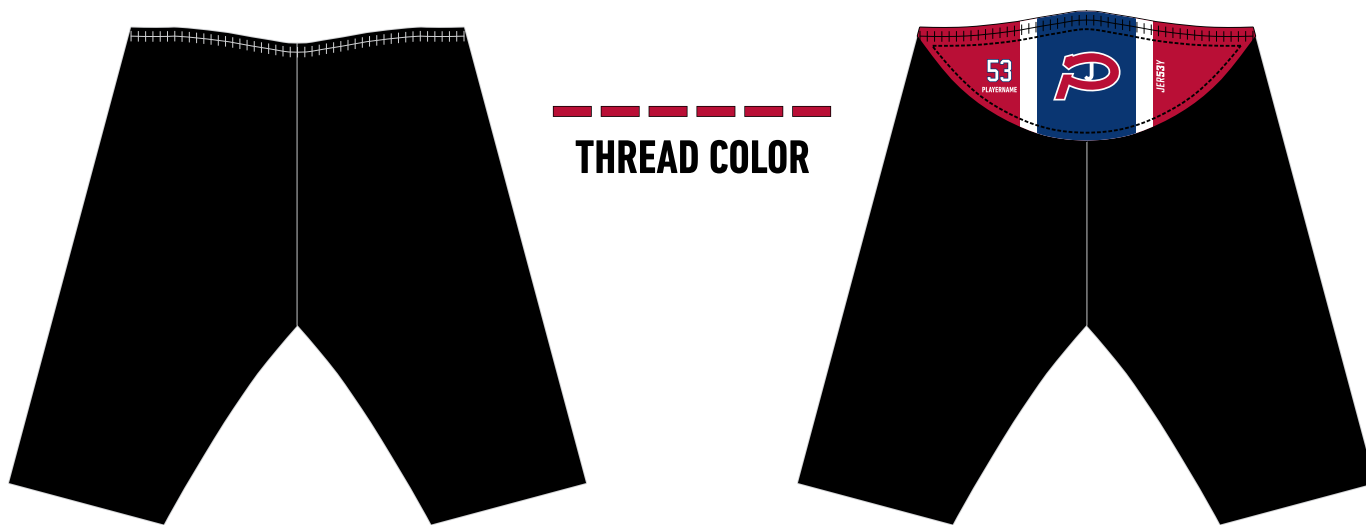
**DUE TO DIFFERENCES
 IN PRINTERS AND MONITORS
 FINAL COLOURS MAY NOT BE EXACTLY
 AS THEY APPEAR IN THIS LAYOUT.**



SCALE: 1:10 XL

Cut: Underwear PANTS - Short

Type: Partially sublimated, functional



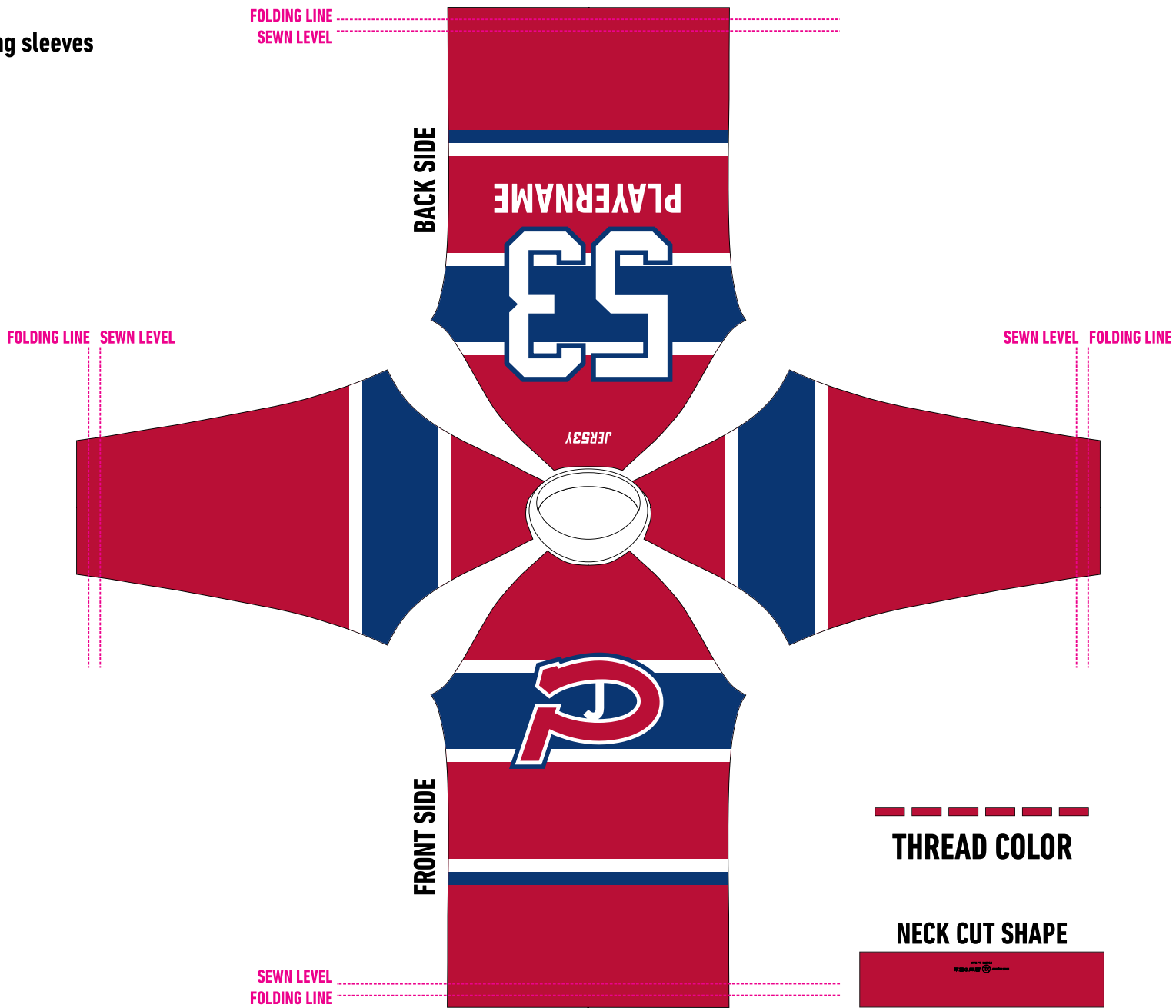
0123456789

-  PANTONE 187 C
-  PANTONE 2758 C

**DUE TO DIFFERENCES
IN PRINTERS AND MONITORS
FINAL COLOURS MAY NOT BE EXACTLY
AS THEY APPEAR IN THIS LAYOUT.**



SCALE: 1:10 XL
 Cut: Underwear TOP - Long sleeves
 Neck: Rounded
 Type: Full Subli



0123456789

- PANTONE 187 C
- PANTONE 2758 C

DUE TO DIFFERENCES
 IN PRINTERS AND MONITORS
 FINAL COLOURS MAY NOT BE EXACTLY
 AS THEY APPEAR IN THIS LAYOUT.



SCALE: 1:10 XL
Cut: Underwear PANTS - Long
Type: Full Subli



0123456789

-  PANTONE 187 C
-  PANTONE 2758 C

**DUE TO DIFFERENCES
IN PRINTERS AND MONITORS
FINAL COLOURS MAY NOT BE EXACTLY
AS THEY APPEAR IN THIS LAYOUT.**



SCALE: 1:10 XL
 Cut: Underwear TOP - Short sleeves
 Neck: Rounded
 Type: Full Subli



0123456789

- PANTONE 187 C
- PANTONE 2758 C

DUE TO DIFFERENCES
 IN PRINTERS AND MONITORS
 FINAL COLOURS MAY NOT BE EXACTLY
 AS THEY APPEAR IN THIS LAYOUT.



SCALE: 1:10 XL

Cut: Underwear PANTS - Short

Type: Full Subli



0123456789

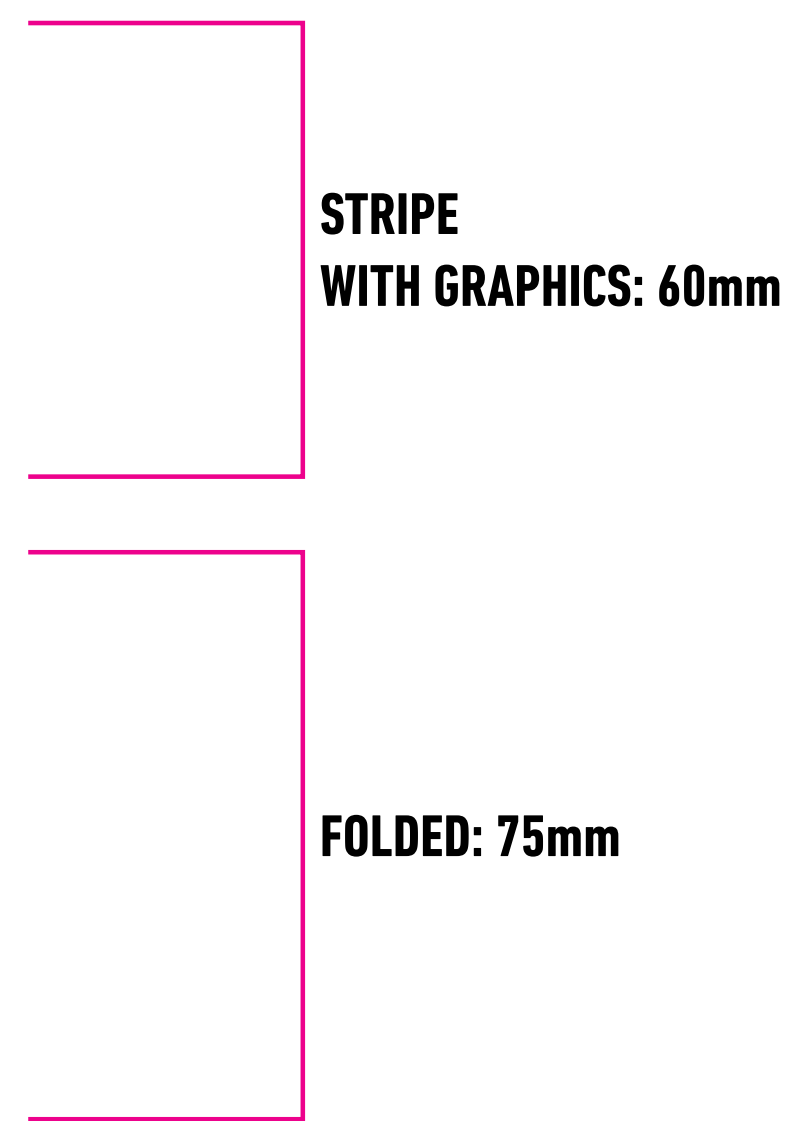
- PANTONE 187 C
- PANTONE 2758 C

**DUE TO DIFFERENCES
IN PRINTERS AND MONITORS
FINAL COLOURS MAY NOT BE EXACTLY
AS THEY APPEAR IN THIS LAYOUT.**



SCALE: 1:1
Stuff: Winter Knitted Hat
Wobble: YES, solid color

VERSION 1



Embroidery
6 x 4,5cm

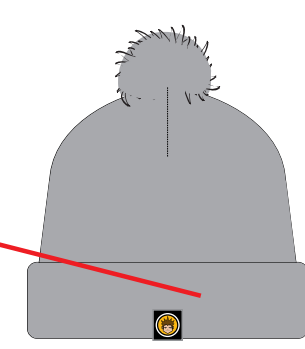
- PANTONE 187 C
- PANTONE 2758 C

● Knitting # M3

DUE TO DIFFERENCES
IN PRINTERS AND MONITORS
FINAL COLOURS MAY NOT BE EXACTLY
AS THEY APPEAR IN THIS LAYOUT.



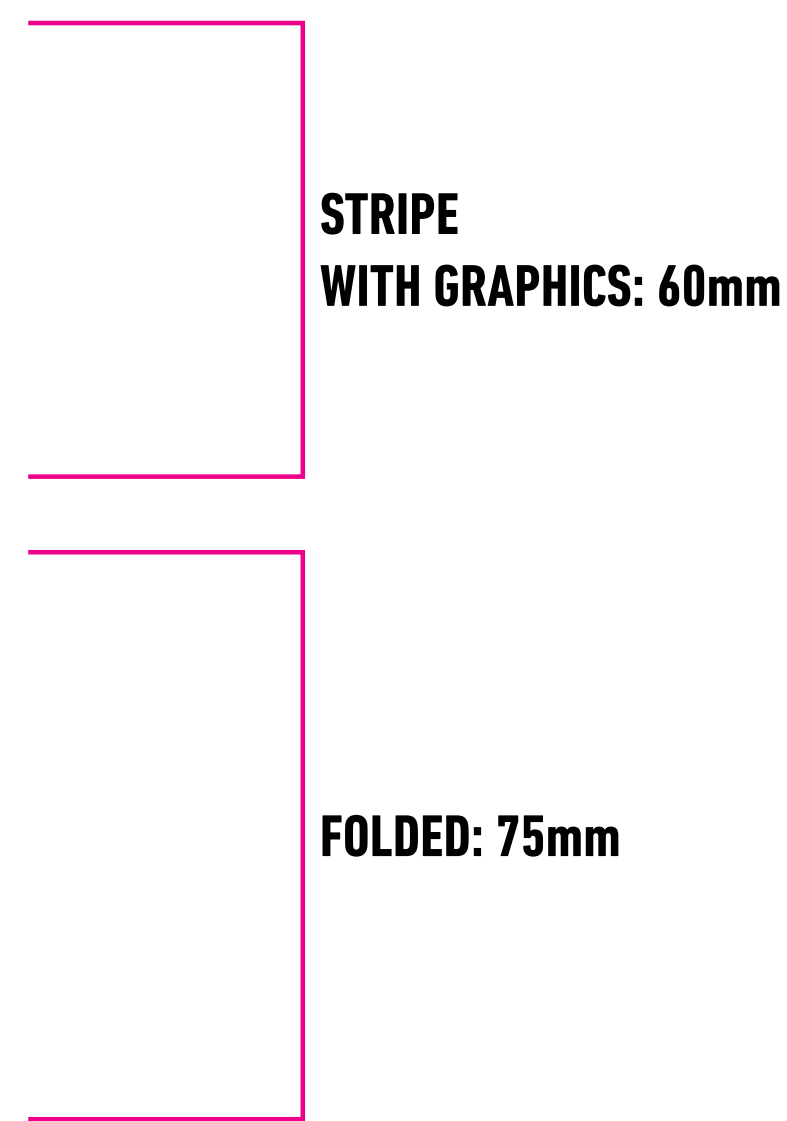
Label (backside)





SCALE: 1:1
Stuff: Winter Knitted Hat
Wobble: YES, solid color

VERSION 2



Embroidery
6 x 4,5cm

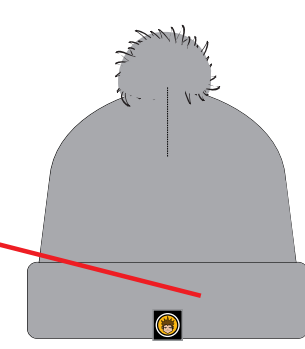
- Knitting # 100146
- Knitting # M3

- PANTONE 187 C
- PANTONE 2758 C

DUE TO DIFFERENCES IN PRINTERS AND MONITORS FINAL COLOURS MAY NOT BE EXACTLY AS THEY APPEAR IN THIS LAYOUT.



Label (backside)





Cut: Sublibeanie

FRONT



BACK



-  PANTONE 187 C
-  PANTONE 2758 C

DUE TO DIFFERENCES
IN PRINTERS AND MONITORS
FINAL COLOURS MAY NOT BE EXACTLY
AS THEY APPEAR IN THIS LAYOUT.